

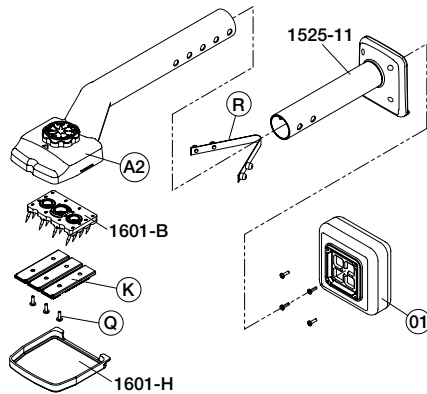
TOP

Perf
Line

INSTRUCTIONS

1. **INTENDED USAGE:** Knee kickers should be used for positioning carpet, hooking carpet on tack strip, and light stretching in cramped areas. Use a power stretcher for "stretching-in" rooms, since hard kicking can injure the user and damage the carpet.
2. **LENGTH ADJUSTMENT:** A press of the buttons allows the choice of 4 length adjustments from 21¾" to 25". Always check that both sets of buttons are engaged before beginning your kicking.
3. **PIN PENETRATION:** The pin adjustment dial gives a visual reference showing pin depth. Set the depth to the approximate carpet thickness. In use, the long pins should reach through the pile into the carpet backing, but not through the backing.
4. **BUMPER PAD ROTATION:** The bumper is seamless and is foam-filled. The pad can be turned for an even distribution of wear.

PARTS DIAGRAM



MODEL No. 505

Order No.	Description
1505-01	Bumper & Screws (4)
1505-A2	Head & Tube Assembly
1505-K	Gripper Inserts (3)
1505-Q	Gripper Screws (3)
1505-R	Double Button Spring Clip
1525-11	Bumper Support & Tube Assembly
1601-B	Pin Plate
1601-H	Cover Cap

CRAIN CUTTER CO., INC.
1155 WRIGLEY WAY
MILPITAS, CA 95035-5426

PLACE
STAMP
HERE

Perf
Line

TOP

PLEASE FILL OUT AND MAIL
THIS CARD TO VALIDATE YOUR
CRAIN GUARANTEE.

NAME _____

ADDRESS _____

CITY _____

STATE _____ ZIP _____

TOOL PURCHASED: No. 505 Knee Kicker

PURCHASED FROM _____

DATE PURCHASED _____

PLEASE CHECK

INDIVIDUAL FLOORING INSTALLER

WORKROOM

FLOORING DEALER

INSTALLATION CONTRACTOR

OTHER _____

CRAIN
GUARANTEE

This Crain Knee Kicker is guaranteed to be free of defects in workmanship or quality of materials for a period of three years.

Any parts of tools found defective subject to the guarantee will be replaced at no charge. Credit in full or part cannot be extended by the distributor. New tools will not be given as replacements for those pending a warranty adjustment.

All merchandise returned subject to this warranty must be in complete, assembled condition and should be shipped **FREIGHT PREPAID** to **CRAIN CUTTER CO., INC.**, Milpitas, CA. A copy of the Bill of Sale (proof of purchase) must be included. No consideration will be given to unassembled parts. All disputes will be up to the determination of the **CRAIN CUTTER CO., INC.** and their decision will be final. The liability of the company is limited to repairing or replacing any defective products.